



FIRESTOP CENTRE

Authorised New Zealand Distributor
Ph (09) 483 4000 www.firestopcentre.co.nz

AGNI-Sleeve in 120mm Concrete Floor/Ceiling 32-100mm PVC-U Pipe, Bottom Fix FRR -/120/120

Step-by-step installation instructions:

1. Ensure the aperture is free from dust and debris.
2. Cut 125mm wide AGNI-Sleeve.
3. Secure around the pipe with no overlap using AGNI-Strap (optional).
4. Insert 10mm ceramic fibre into the annular space.
5. Insert AGNI-Sleeve into the annular space by 100mm, pushing ceramic fibre upward.
6. Seal the junction between AGNI-Sleeve and the separating element using AGNI-Seal.
7. Fix AGNI-Sleeve to the separating element with two AGNI-Clips and two masonry screws.



System ID# FC814

Technical Information

Substrate	• Min. 120mm concrete floor/ceiling
Service range	DN 32mm up to 100mm PVC-U pipe
Annular gap	4.5mm - 16.5mm
AGNI-Products	AGNI-Sleeve, AGNI-Clip, AGNI-Seal
Protection installation	Asymmetrical (from below the floor/ceiling only)

Compliance Information

Standards	AS1530.4-2014, AS4072.1-2005
FRR/FRL	-/120/120
Reference	PF24070 (AP-067)

Disclaimer
Agnitek reserves the right to modify product specifications without prior notice due to its ongoing research, development & certification programme. The information in this document is provided in good faith and is intended for guidance purposes only. Any accompanying drawings are solely for illustrative purposes. Since Agnitek cannot oversee installation methods or ensure site conditions, no warranties, expressed or implied, are intended regarding the products' actual performance. We do not accept liability for any loss, damage, or injury from using this information. Please take a look at the test reports displayed on a relevant AGNI-System webpage for all compliance specifics.



Agnitek
FIRE RATED TECHNOLOGY

8 Clare St Bayswater
VIC 3153, AUSTRALIA
www.agnitek.com.au

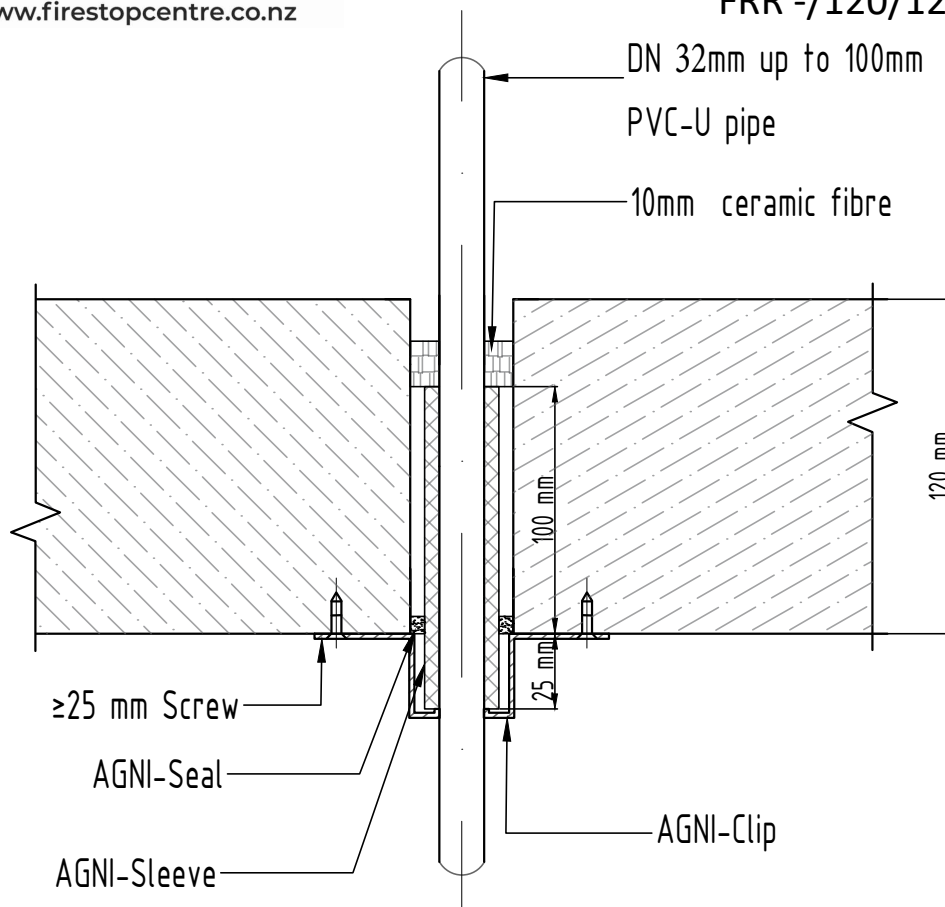
Date 18.07.2024



FIRESTOP CENTRE

Authorised New Zealand Distributor
Ph (09) 483 4000 www.firestopcentre.co.nz

AGNI-Sleeve in 120mm Concrete Floor/Ceiling 32-100mm PVC-U Pipe, Bottom Fix FRR -/120/120



System ID# FC814



Agnitek
FIRE RATED TECHNOLOGY

8 Clare St Bayswater
VIC 3153, AUSTRALIA
www.agnitek.com.au

Technical Information

Substrate	• Min. 120mm concrete floor/ceiling
Service range	DN 32mm up to 100mm PVC-U pipe
Annular gap	4.5mm - 16.5mm
AGNI-Products	AGNI-Sleeve, AGNI-Clip, AGNI-Seal
Protection installation	Asymmetrical (from below the floor/ceiling only)

Compliance Information

Standards	AS1530.4-2014, AS4072.1-2005
FRR/FRL	-/120/120
Reference	RIRF24070 (AP-067)

Disclaimer
Agnitek reserves the right to modify product specifications without prior notice due to its ongoing research, development & certification programme. The information in this document is provided in good faith and is intended for guidance purposes only. Any accompanying drawings are solely for illustrative purposes. Since Agnitek cannot oversee installation methods or ensure site conditions, no warranties, expressed or implied, are intended regarding the products' actual performance. We do not accept liability for any loss, damage, or injury from using this information. Please take a look at the test reports displayed on a relevant AGNI-System webpage for all compliance specifics.

Date	18.07.2024
------	------------